



Product Description
LED Flexible Strip Tape



DEFINITION SERIES: Super Brightness Range

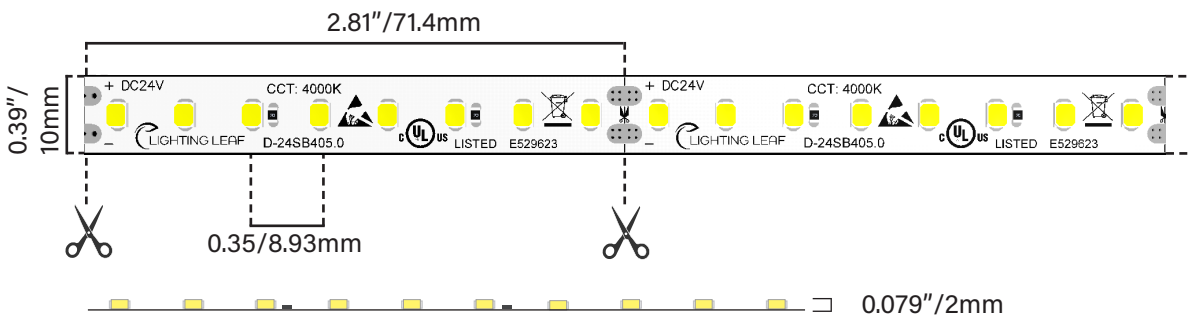
Higher CRI and brightness levels of true vibrant critical color functional light (CRI 95+). Visual acuity as Ambient, Accent or Task lighting that enhance design eliminates for any space.

Specifications

Input Voltage	24 VDC
Power	5W/FT
CRI (Ra)	95+
Lumen	550-605LM/FT
Beam Angle	120 Degree
Environment	IP20
Max Run Length	16.4FT
Reel Length	16.4FT



Dimensions





CCT Kelvin Available

Model Number Code

D	24	SB	XX	5.0
Series	Voltage	Brightness	Color Temp	Watts

2700K

D-24**SB275.0**
Super Brightness 2700K

3000K

D-24**SB305.0**
Super Brightness 3000K

4000K

D-24**SB405.0**
Super Brightness 4000K

Recommended Connectors



ST-T-W2P

HDT-W2P

HDT-T2P

Connector Specifications

ST-T-W2P	Screw Terminal Tape to Wire 2PIN Connector
HDT-W2P	High Density Tape to Wire 2PIN Connector
HDT-T2P	High Density Tape to Tape 2PIN Connector



All Lighting Leaf LED Strip Tapes have been evaluated by UL to meet the following standards:

Standard(s) for Safety:

UL 2108 - Low Voltage Lighting Systems

CSA-C22.2 No. 250.2 - Lighting Systems

See below for further scope information.



1 Scope

1.1 These requirements apply to low voltage lighting systems and components intended for installation in accordance with the National Electrical Code, NFPA 70, Article 411.

1.2 These requirements cover:

- a) Power units in which output is limited to 25 A and below the risk of electric shock voltage levels as defined in 19; and
- b) Class 2, exposed bare conductor, POE, and other low-voltage luminaires and lighting systems.

1.3 These requirements do not cover lighting equipment covered by other standards such as, but not limited to, the Standard for Portable Electric Luminaires, UL 153, the Standard for Track Lighting Systems, UL 1574, or the Standard for Luminaires, UL 1598:

- a) Luminaires provided with a cord and attachment plug intended for branch circuit connection. See the Standard for Portable Electric Luminaires, UL 153.
- b) Luminaires intended to be mounted to and relocatable along a track, including when the track is supplied at low voltage. See the Standard for Track Lighting Systems, UL 1574.
- c) Luminaires intended to be carried by hand or exclusively used not connected to a branch circuit. See the Standard for Flashlights and Lanterns, UL 1576.
- d) Luminaires integrated with a power unit in a singular product. See the Standard for Luminaires, UL 1598.

1.4 Light emitting diode (LED) components, controls, and subassemblies integral to a low voltage lighting system shall comply with the applicable requirements of the Standard for Light Emitting Diode (LED) Equipment for Use in Lighting Products, UL 8750.

1.5 These requirements do not address certain specialized applications, including but not limited to hazardous/classified locations, emergency lighting, marine (ship-board) lighting, horticultural systems, germicidal luminaires, air-handling luminaires, or luminaires installed over cooking equipment. Low voltage lighting system equipment intended for such applications are to be investigated in accordance with standards written for the purpose.