

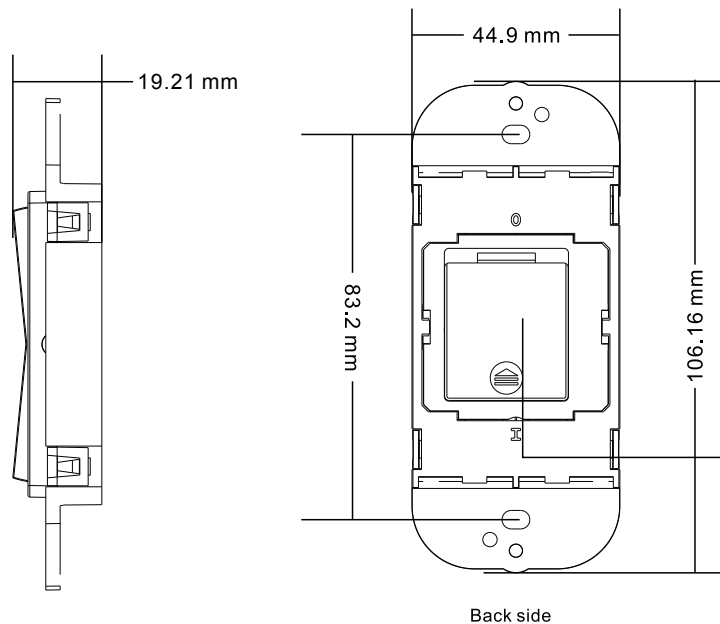
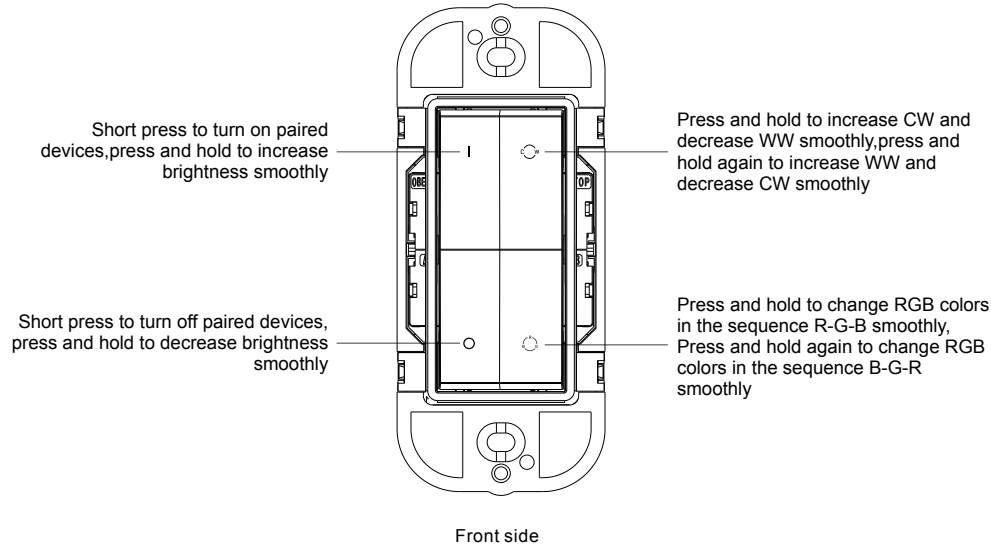
Product Data

Output	RF signal
Operation Frequency	916.5MHz
Power Supply	3V(1xCR2430 battery)
Operating temperature	0-40°C
Relative humidity	8% to 80%
Dimensions	44.9x106.2x19.2mm

- Set controller to RGB+CCT mode
- Controller can be paired with up to 8 different remotes
- Waterproof grade: IP20

Important: Read All Instructions Prior to Installation

Function introduction

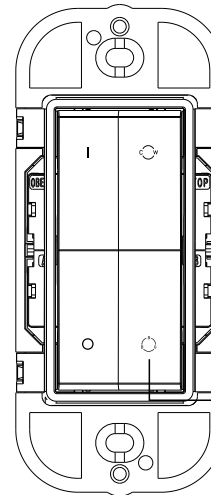


Battery: CR2430
 Before the first use, please open the battery cover and remove the protective film

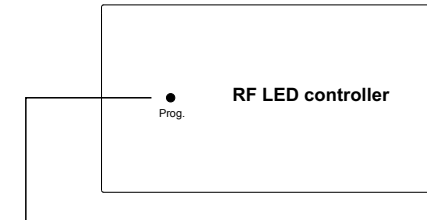
Safety & Warnings

- This device contains a button lithium battery that shall be stored and disposed properly.
- DO NOT expose the device to moisture.

Pair with RF LED controller



Step 1: Connect RF controller according to it's instructions and wiring diagram. Power on RF controller. (RF-WIFI-CNTRL-5CH-4A)



Step 2: Click the "Prog. " button on RF controller to set it into pairing mode.

Step 3: Click any button on the remote (e.g. button ○), LED lights connected to the RF controller will flicker once indicating the controller is paired with the remote.

Note: one controller can be paired with max 8 remote controls.

Installation

