

# RF+WIFI LED CONTROLLER

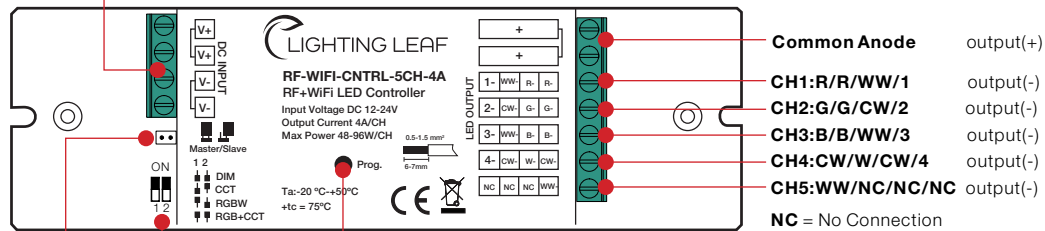
Important: Read All Instructions Prior to Installation



**RF-WIFI-CNTRL-5CH-4A**

## Function Introduction

12V/24VDC Power Input



Master/Slave setting jumper

Program button, used to pair or delete pairing with RF remote, and to enter Bluetooth / WiFi pairing mode

Dip switch for device mode selection, DIM, CCT, RGBW and RGB+CCT 4 modes are available, factory default is RGB+CCT mode

## Product Data

No.	Input Voltage	Output Current	Output Power	Remarks	Size (LxWxH)
1	12-24VDC	5x4A	5x(48-96)W	Constant voltage	145x46.5x16mm

- RF+WiFi LED controller • 5 channels 12/24V constant voltage output • Max. 4A output per channel
- Compatible with Lighting leaf Sub-GHz RF remotes only • Waterproof grade: IP20

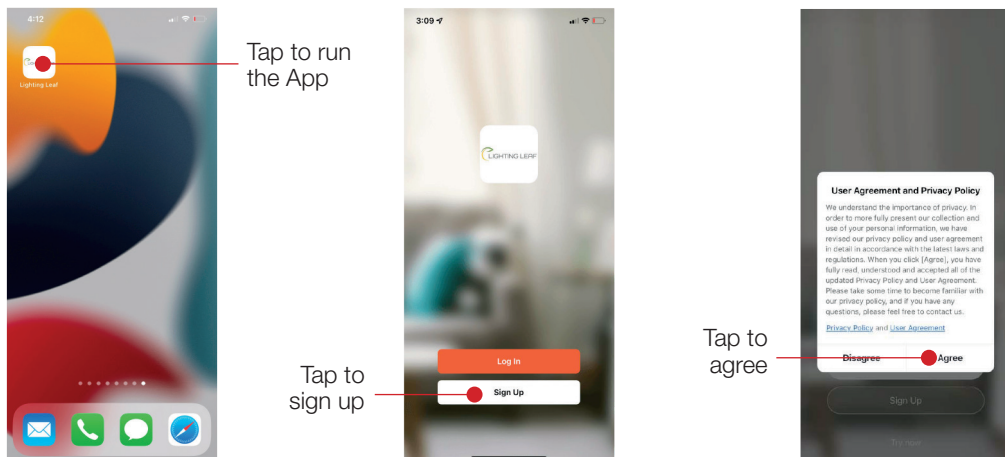
## Safety & Warnings

- **DO NOT** make connections with power applied to device.
- **DO NOT** expose the device to moisture or excess temperatures of 30° - 105° F.

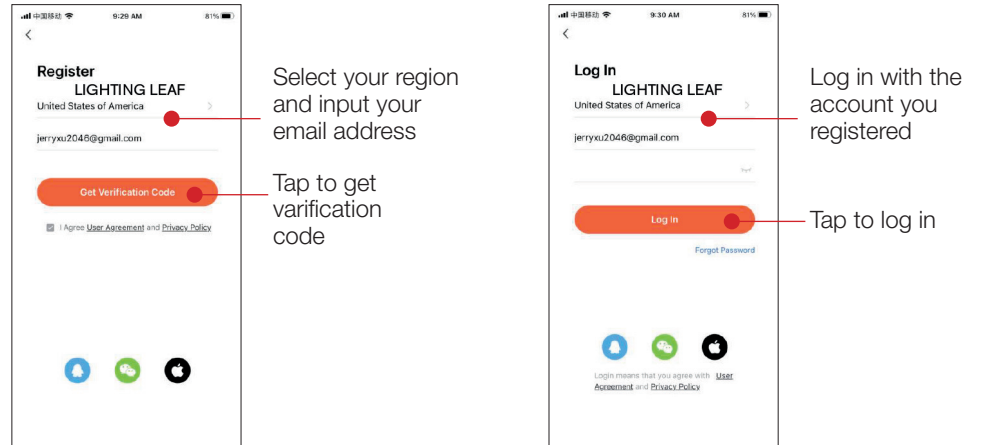
## Operation

1. Wire according to the wiring diagram only. 2. Pair the WiFi LED controller to a smart phone or tablet.

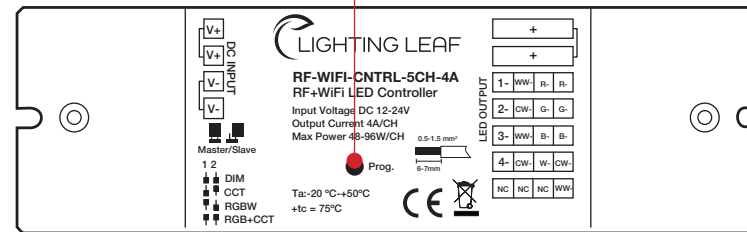
**STEP 1: Download the "Lighting Leaf" APP** from the APP Store or Google Play. Register an account as instructed. Log into the account. **Enable Bluetooth on your smart phone in advance.**



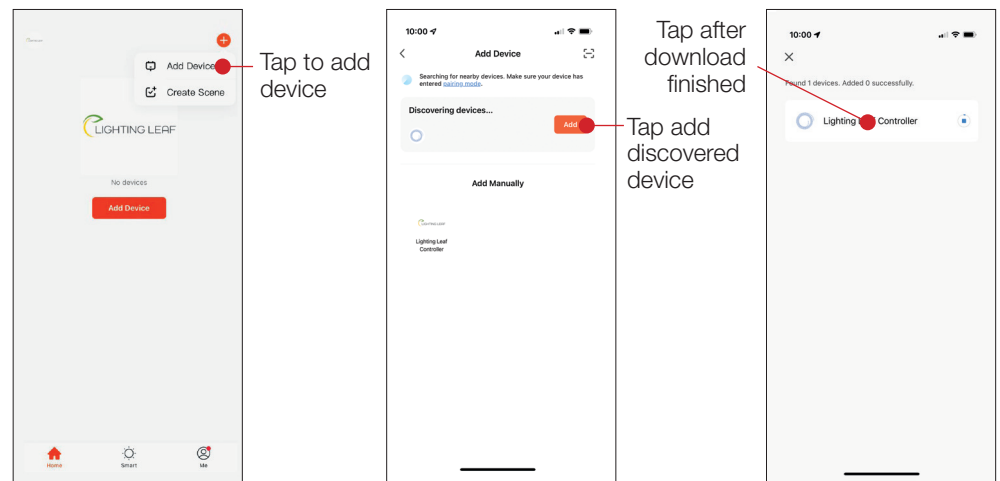
**STEP 2: Register account and log in.** Next step 3 is on controller.



**STEP 3: On the controller press "Prog" button 5 times continuously** to place in pairing mode. Attached LED lights will flash twice. Quickly, go to next **Step 4 on app** to "Add Device" to pair controller to WiFi and app



**STEP 4: On App Tap "+" or "add device".** The app will find the controller automatically when it is in pairing mode using Bluetooth. After pairing is complete, the controller is paired with the smart phone and WiFi.





# USING THE LIGHTING LEAF APP

Scan the QR code to download the App



## Control the WiFi controller through the App



Select to change RGB colors and adjust brightness

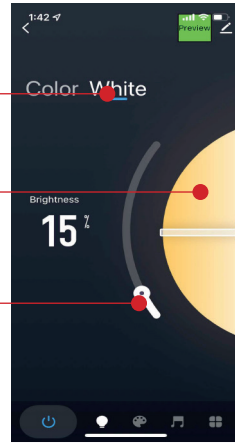
Slide here to choose RGB colors

Slide here to adjust RGB brightness

Select to change CCT temperature and adjust brightness

Slide here to choose CCT temperature

Slide here to adjust CCT brightness

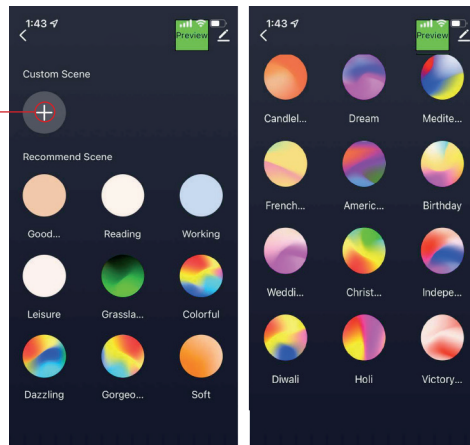


## Choose scenes through the App



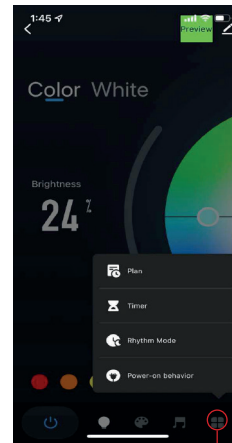
Tap here to choose scenes

Tap here to add custom scenes

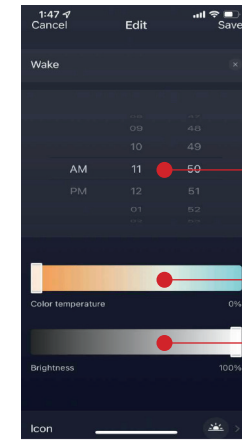
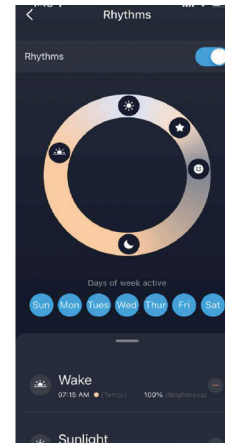


Note: There are 32 recommend scenes in total, with the option to create your own scene.

## Choose rhythm mode through the App



Tap here to choose rhythm mode



Set time here

Slide to adjust color temperature

Slide to adjust Brightness

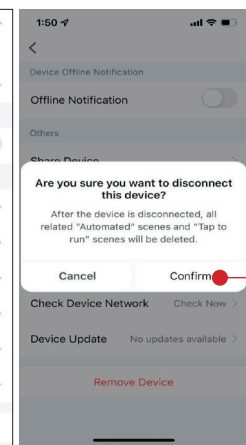
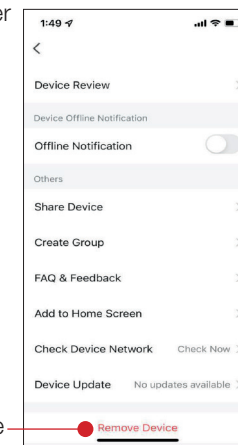
Note: You can set 8 rhythm modes in total, and time interval should ≥ 15 min.

## Remove WiFi LED controller from App interface



Tap to enter device edit interface

Tap here

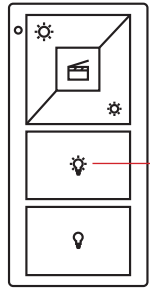


Tap here

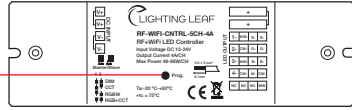
Note: You can also click the button on the controller 5 times in a row to remove the controller from the App. The light flashes slowly twice to indicate successful withdrawal.

## Pair the LED Controller with an RF Remote

Dimming Remote Pictured. Refer to user manual of corresponding RF remote



**Step 1:** Connect RF controller according to its instructions and wiring diagram. Power on RF controller. (RF-WIFI-CNTRL-5CH-4A).



**Step 2:** Click the “Prog” button on RF controller or re-power the controller on/off three times continuously to set it into pairing mode.

**Step 3:** Click any button on the remote (e.g. button), LED lights connected to the RF controller will flicker once indicating the controller is paired with the remote. Note: Controller can be paired with up to 8 different remotes.

## Delete Pairing to RF Remotes

**Step 1:** Press and hold the “Prog.” button for over 3 seconds until the connected LED lights blink, which means the pairing is deleted successfully.

**Pairing RF Remote to more than 1 controller can be done by repeating the same instructions. All controllers dip switch must be set to same color mode.**

## Master and Slave Setting

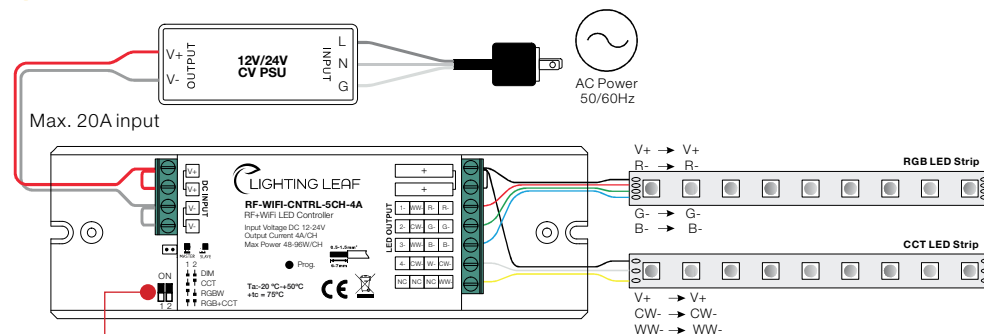
The controller has both a master and slave function which can be set with a jumper. The default is master. Short circuit of the jumper means master function, and open circuit means slave function. Once short circuit jumper is set on the controller, power cycle on and off to enable master function.

Setting master and slave enables synchronization of color changing effects between multiple controllers.

Set one receiver as master and pair it to a remote. Set all other receivers as slave and pair them to the same remote. The max. sync distance between the master and any slave is within 30m.

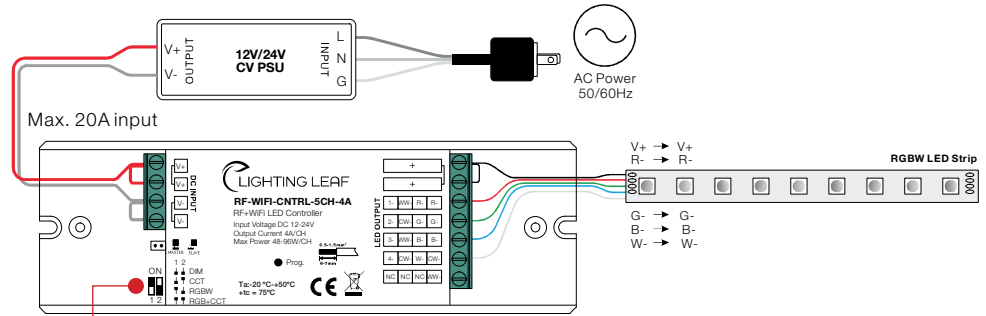
## Wiring Diagrams

### 1 RGB+CCT Mode



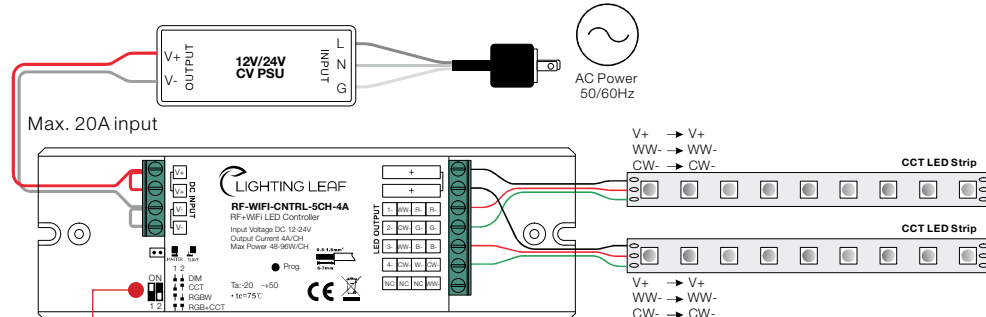
**Note:** make sure the dip switches are at position for RGB+CCT mode as shown in above diagram.

### 2 RGBW Mode



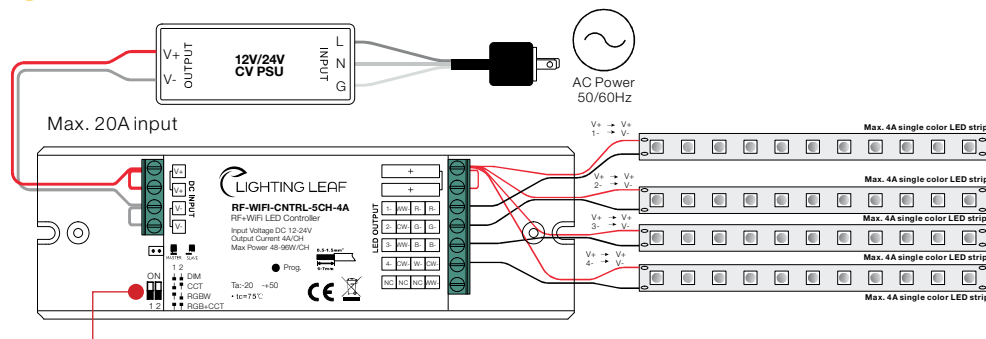
**Note:** make sure the dip switches are at position for RGBW mode as shown in above diagram.

### 3 CCT Mode



**Note:** make sure the dip switches are at position for CCT mode as shown in above diagram.

### 4 DIM Mode



**Note:** make sure the dip switches are at position for DIM mode as shown in above diagram.