

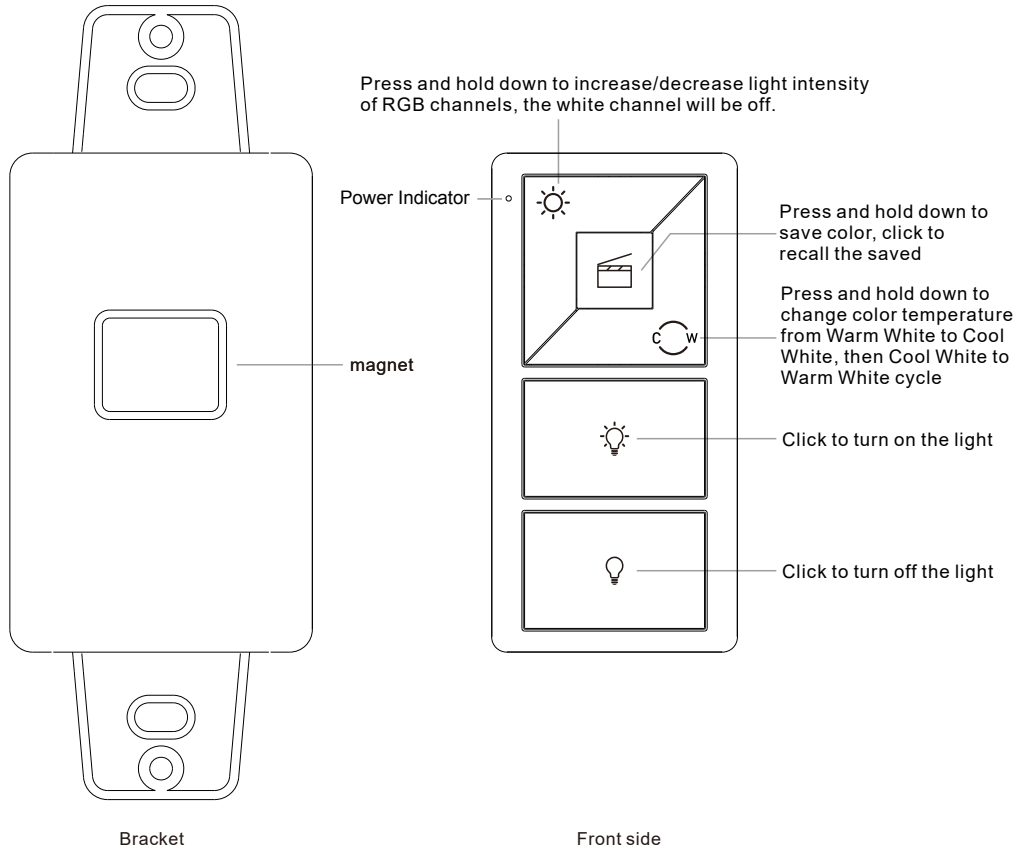
Product Data

Output	RF signal
Operation Frequency	916.5MHz
Power Supply	3V(CR2032 battery)
Operating temperature	0-40°C
Relative humidity	8% to 80%
Dimensions	66x32.5x8.9mm

- **Set controller to CCT Tunable mode**
- Controller can be paired with up to 8 different remotes
- Waterproof grade: IP20

Important: Read All Instructions Prior to Installation

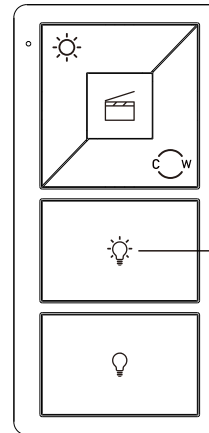
Function introduction



Safety & Warnings

- This device contains a button lithium battery that shall be stored and disposed properly.
- DO NOT expose the device to moisture.


Pair with RF controller



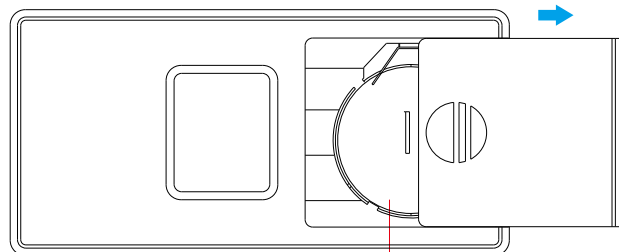
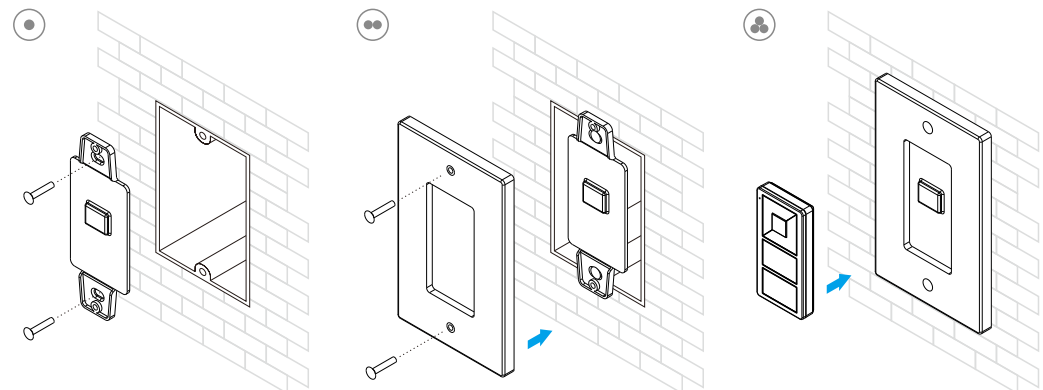
Step 1: Connect RF controller according to its instructions and wiring diagram. Power on RF controller. (RF-WIFI-CNTRL-5CH-4A)



Step 2: Click the "PROG" button on RF controller or re-power the controller on/off three times continuously to set it into pairing mode.

Step 3: Click any button on the remote (e.g. button ) , LED lights connected to the RF controller will flicker once indicating the receiver is paired with the remote.

Installation



Note: Before the first use, please remove the protective film on the battery.

Back side