

Controller All-in-One:

Main Features

- Performs the digital dimming using Pulse Width Modulation (PWM)
- Communicates with control signal devices. (Remotes, App, IoT, 3rd Party Controls)
- Connects to a Power Supply (based on Wattage needed to power LED)
- 4 Color Setting Modes (DIM, CCT Tunable, RGBW, RGBCCT)

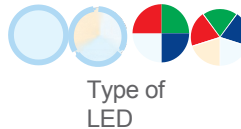
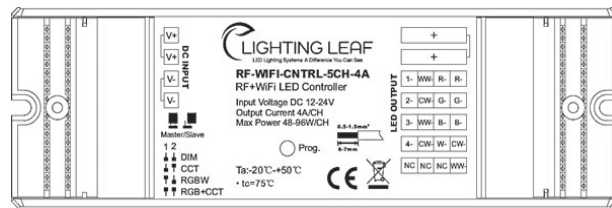
Main Functions

- All-DC Micro-controller-based circuit designed for digital controls of Low-Voltage LEDs.
- Built-in wireless for Stand-alone system or expand to Control System Integration
- Connects directly to LED Tape to control brightness, color mixing, scenes, or schedules.
- Low-profile 3/4" height allows for flexible installations to conceal its placement options

4-In-1 Selectable Controls

RF-WIFI-CNTRL-5CH-4A

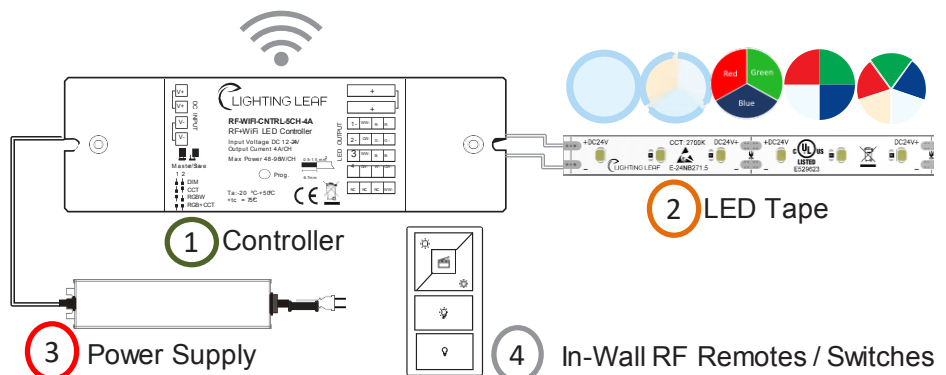
SPECIFICATIONS:
Voltage: 12-24 VDC Constant voltage
Power: Max 5 x 4A Per Channel
Termination: Screw Terminal
Connection: RF / Wi-Fi / BLE



Set dip-switch to 1-of-4 types of LED
Select matching wall control
App automatically recognizes LED type set

System Overview

- 1 Controller
- 2 LED Tape
- 3 Power Supply
- 4 Wireless Remote/Switch



System Hardware

1 CONTROLLER All-In-One
Connects to Power Supply and LED
Talks to control signals. (Remote, App, IoT)



2 LED TAPE
Single-Color
Multi-Color



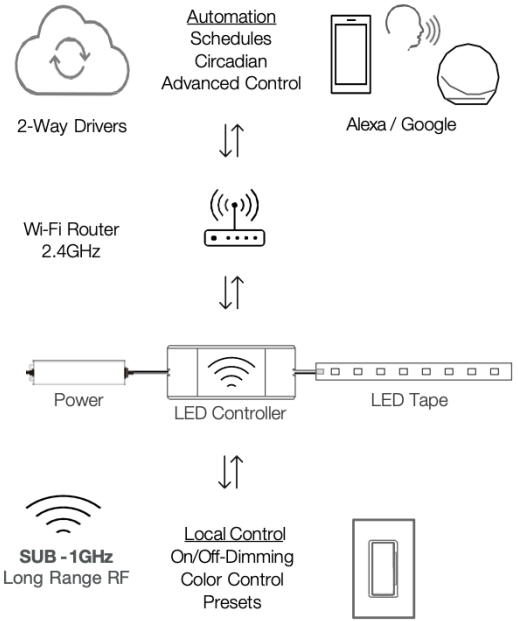
3 POWERSUPPLY
100 to 300-watts
Based on type / Length of LED



4 CONTROL INTERFACE
Wall Switch / Remote / App
On or Off premises IoT / 3rd party control



System Architecture



3-In-1 Wireless Communications

Robust IoT Control

- Built-In Dual-path BLE/Wi-Fi
- Local and off-site access
- Auto network discovery
- Over-The-Air firmware update
- Full 2-way drivers

In-Room Control

- On/Off-Dimming
- Color Control - Presets
- Direct Connect - Long-range RF
- 1-Button Push-to-Pair learning
- Always on non-volatile memory

